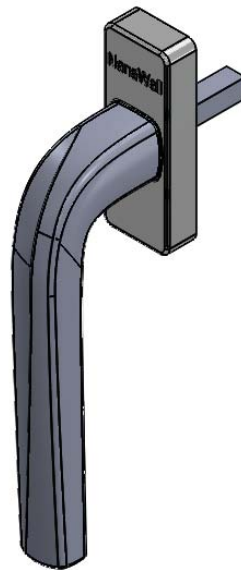
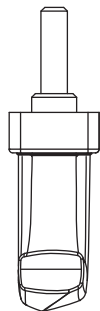
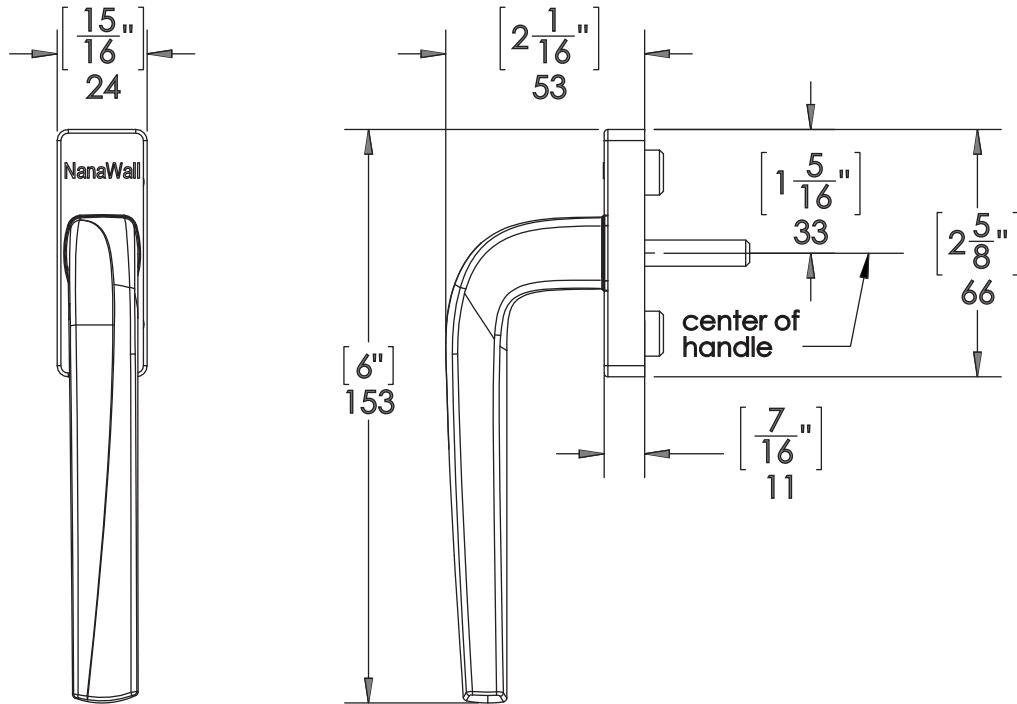


Standard Handle

For use with the standard two point or three point locking of SL70 and SL73 systems. Also for use with all matching tilt turn windows and doors.



Finishes:
 Stainless Steel in Brushed Satin
 Stainless Steel in Black Titanium