

Frameless All Glass Wall Systems (no stiles but with rails)

NanaWall offers six distinct frameless all glass wall system options for interior/interior and interior/exterior applications (where interior is non-conditioned space)—HSW75, PrivaSEE, ClimaCLEAR, FSW75, CSW75, and SL25. These systems offer the beauty of all glass allowing for maximum transparency, natural daylighting, and a clean, contemporary aesthetic.

- HSW75 is a single track sliding system that allows the panels to stack outside of the plane of the opening - no floor track is needed.
- PrivaSEE™ is an all glass single track sliding system specifically engineered for acoustical sound privacy with a STC of 36 - no floor track is needed.
- ClimaCLEAR is an all glass single track sliding system specifically engineered for some weather protection.
- FSW75 is a folding all glass system that folds and stacks within the plane of the opening.
- CSW75 is a center pivot folding all glass systems with the head tracker roller positioned in the center of the panel. When the system is open, the panels stack equally to the inside and the outside within the plane of the opening - no floor track is needed.
- SL25 is a sliding/pivot system that allows the panels to stack perpendicular to and within the opening.

COMMON FEATURES OF ALL SYSTEMS:

Engineered Systems from a Single Source Supplier

NanaWall systems have been engineered for superior performance by a single source supplier.

Narrow Rail Heights for Outstanding Aesthetics

Narrow, continuous top and bottom horizontal rails allow for a beautiful aesthetic and maximum glass. Suitable bottom rail solutions are available for swing door panels to meet ADA requirements.

Design Freedom

All units are made to custom sizes. Any custom panel size is possible within the limitation of the Panel Size Chart for each system.

Straight, Open Corner and Segmented Curve Designs

Design of all the systems can be for straight applications,

but open corners or segmented curves are also possible on some of the systems.

Single Track, Top Hung Systems

When closed, all panels ride in a single track, eliminating the need for bulky multi floor tracks. The systems are top hung. Polyamide rollers with sealed bearings ensure silent running and resistance to changes in temperature.

Commercial Swing Door Options Available

Convenient swinging entrance/egress doors are available for each system, except SL25, to meet your traffic pattern requirements. With the HSW75, single or double action panels are available anywhere within the span of panels and can stack and slide away where needed.

Acoustic Buffering and Wind Resistance

Each system provides a transparent acoustical sound buffer when closed. For increased noise resistance in interior applications, laminated glass can be used. With exterior applications, wind resistant panels offer some protection from rain and snow. HSW75 with extra locking and ClimaCLEAR have been independently tested per ASTM E-330 and with unit height of 8'8" and 1/2" single tempered glass meet design pressures of +/- 30 psf. Varying glass thickness can be used to meet design wind load requirements. SL25 with a reinforced turn panel, standard sill, 1/2" single tempered glass, 2'7" x 7'8" panel size met design pressures of +40/-45 psf.

Finishes

Besides the 50 standard finishes in the NanaWall Powder Coating Finish Chart, the full range of RAL colors are also available in both a standard gloss and matte powder coated finishes. Anodized finishes are also available. With the HSW75, additional clad finishes are available.

Glazing

Standard glass options included tempered or laminated glass. Glass thickness is determined by panel size, customer need and local code requirements. Glass thickness are available up to 1" (25 mm) for the HSW75 and up to 1/2" (12 mm) for the other systems. Low iron, white board, decorative, acrylic, wooden and stainless steel inserts are also available on some systems.

Hardware

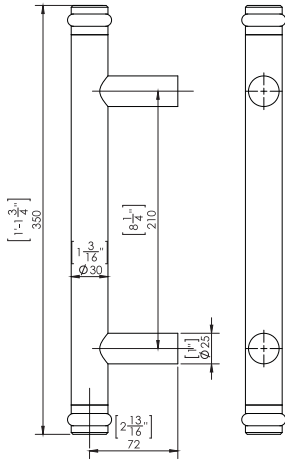
A choice of different locking options is available depending on need. Door closers, profile cylinders and push /pull handles are available.

Frameless All Glass Comparison

	HSW75	PrivaSEE™	ClimaCLEAR	FSW75	CSW75	SL25
Maximum Height	10' 6" (3200 mm)	10' 6" (3200 mm)	10'6" (3200 mm)	10' 6" (3200 mm)	10' 6" (3200 mm)	9' 0" (2743 mm)
Maximum Panel Width	4' 1" (1245 mm)	4' 1" (1245 mm)	4' 1" (1245 mm)	3' 3" (1000 mm)	3' 3" (1000 mm)	2' 7" (800 mm)
Maximum System Width	Unlimited	Unlimited	Unlimited	Unlimited	Unlimited	12 panels to each side
Top Hung	yes	yes	yes	yes	yes	yes
Rail Height	from 3 15/16" (100 mm)	4" (104 mm)	4" (104 mm)	from 3 15/16" (100 mm)	from 3 15/16" (100 mm)	2 13/16" (72 mm) or 1 11/16" (43mm)
Single/Double Action End Panels	yes	Single Action only	Single Action only	yes	yes	yes
Sliding Single/Double Action Swing Panels	yes	no	no	no	no	no
Single Action Swing Panel at End of Chain of Panels	N/A	N/A	N/A	yes	yes	no
Stacking Out of Plane of Opening	yes	yes	yes	no	no	no
Floor Track Required	no	no	yes	yes	no	yes
Segmented Angles between Panels	yes	no	no	no	no	yes
Glass Options over 1/2" (12 mm)	yes	no	no	no	no	no
Acoustic Testing	no	yes	yes	no	no	no
Windload Testing	yes	no	yes	no	no	yes
Air and Water Infiltration Testing	no	no	yes	no	no	no

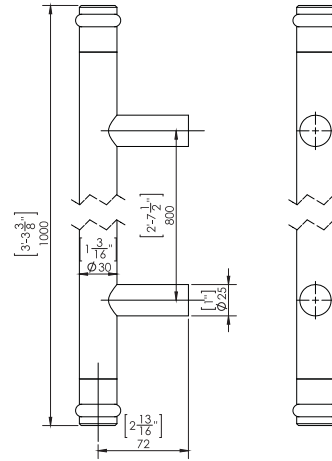
Handle Options for Frameless All Glass Systems (except for SL25)

(Shown below are the standard options. Contact NanaWall for additional custom options.)



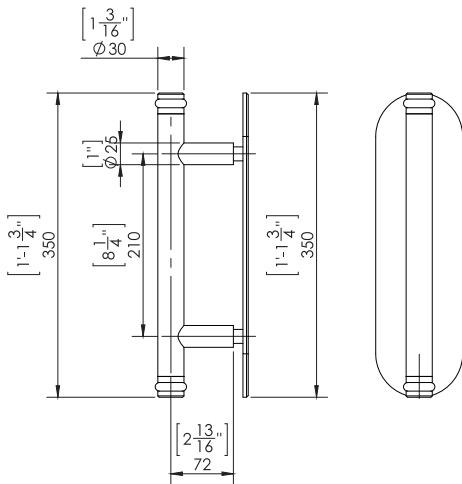
Push/Pull Handles – Standard Length

A 1' 1 3/4" (350 mm) in length brushed stainless steel finish door pull option with built-in black bumpers to protect against metal to glass contact.



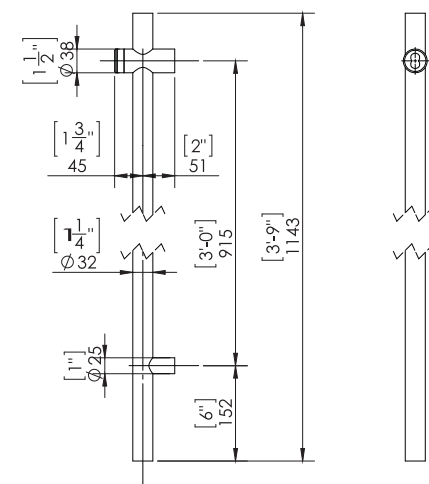
Push/Pull Handles – Longer Length

A 3' 3 3/8" (1000 mm) in length brushed stainless steel finish door pull option with built-in black bumpers to protect against metal to glass contact.



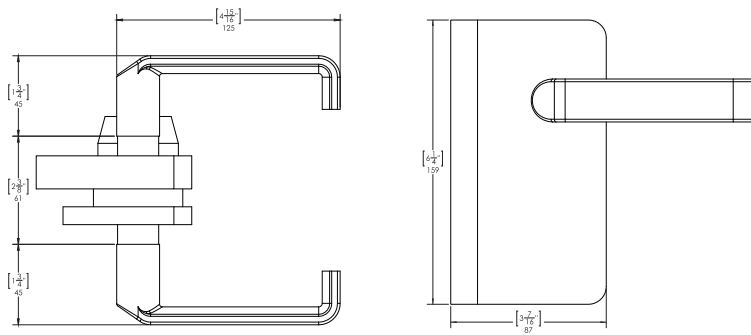
Pull Handle with Push Plate

A 1' 1 3/4" (350 mm) brushed stainless steel finish door pull, with built-in black bumpers to protect against metal to glass contact, can be partnered with a push plate to accommodate traffic pattern requirements.



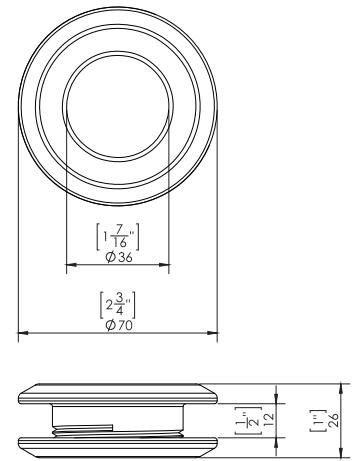
Handle with Locking at Hand Height

Tube100, a 3' 9" (1143 mm) brushed stainless steel finish handle/locking system, integrates a locking mechanism with a profile cylinder at hand height into the tubular designed handle, eliminating the need to kneel to lock the door at the bottom rail. Built-in black bumpers are included to protect against metal to glass contact.



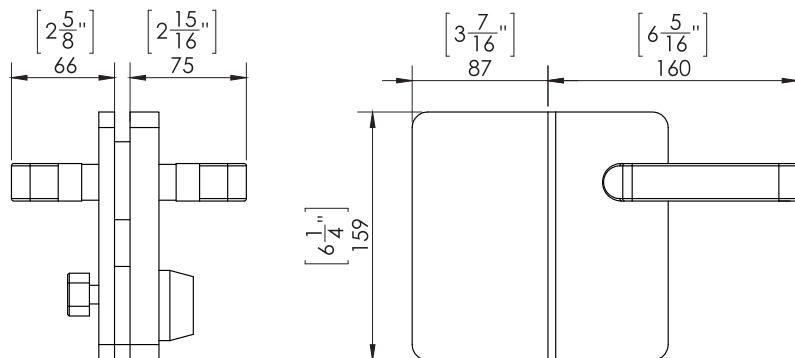
Standard Lever Handle

A brushed stainless steel lever handle set with latch for a single swing panel that locks into a jamb. Dead bolt lock at bottom rail.



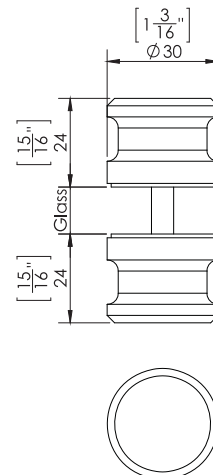
Finger Pull Rosette

A finger pull rosette in brushed stainless steel is available.



Lever Handle with Receiver Plate

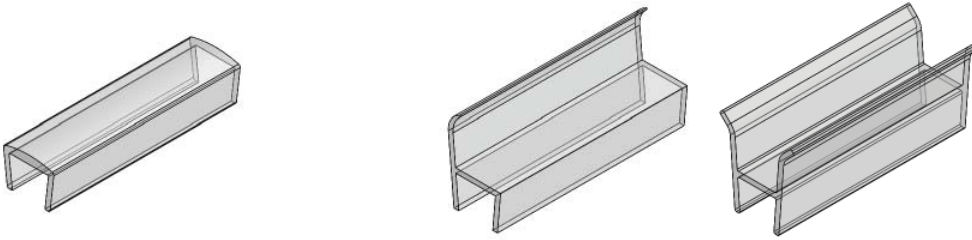
For single action swing panels that meet in the middle of a system, a lever handle and receiver plate combination set with latch in brushed stainless steel. Deadbolt lock at bottom rail.



Push/Pull Knob

Brushed stainless steel push/pull knob is available.

Gasket Options for Frameless All Glass Systems



Edge Mounted Gasket Option

Clear UV resistant edge mounted gaskets for edge protection are available for sliding, folding, and swing panels.

Edge Mounted h and H gaskets

Clear UV resistant edge mounted gaskets for PrivaSEE and ClimaCLEAR systems for sound and weather protection.