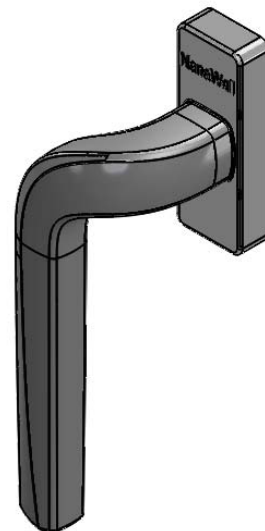
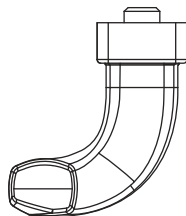
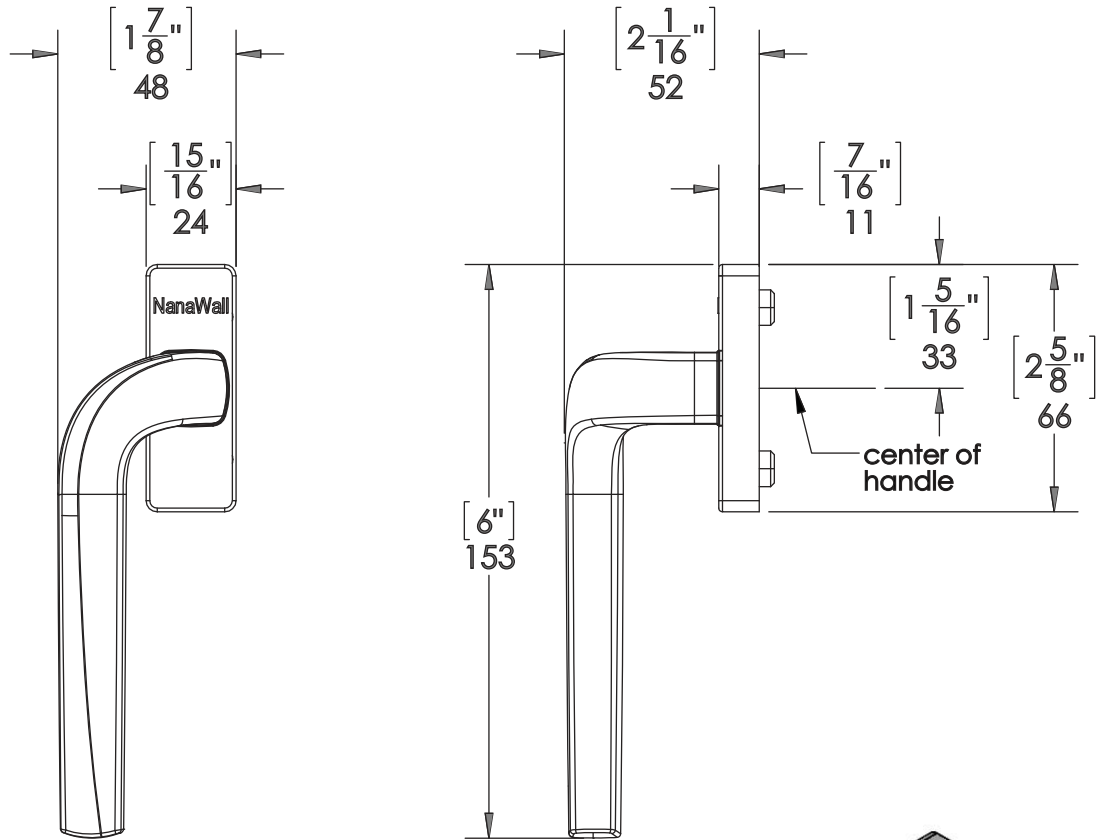


L Shaped Handle

For use with three point locking. This handle may be on both sides or the inside only with either the flat handle or standard handle on the outside.



Finishes:
 Stainless Steel in Brushed Satin
 Stainless Steel in Black Titanium