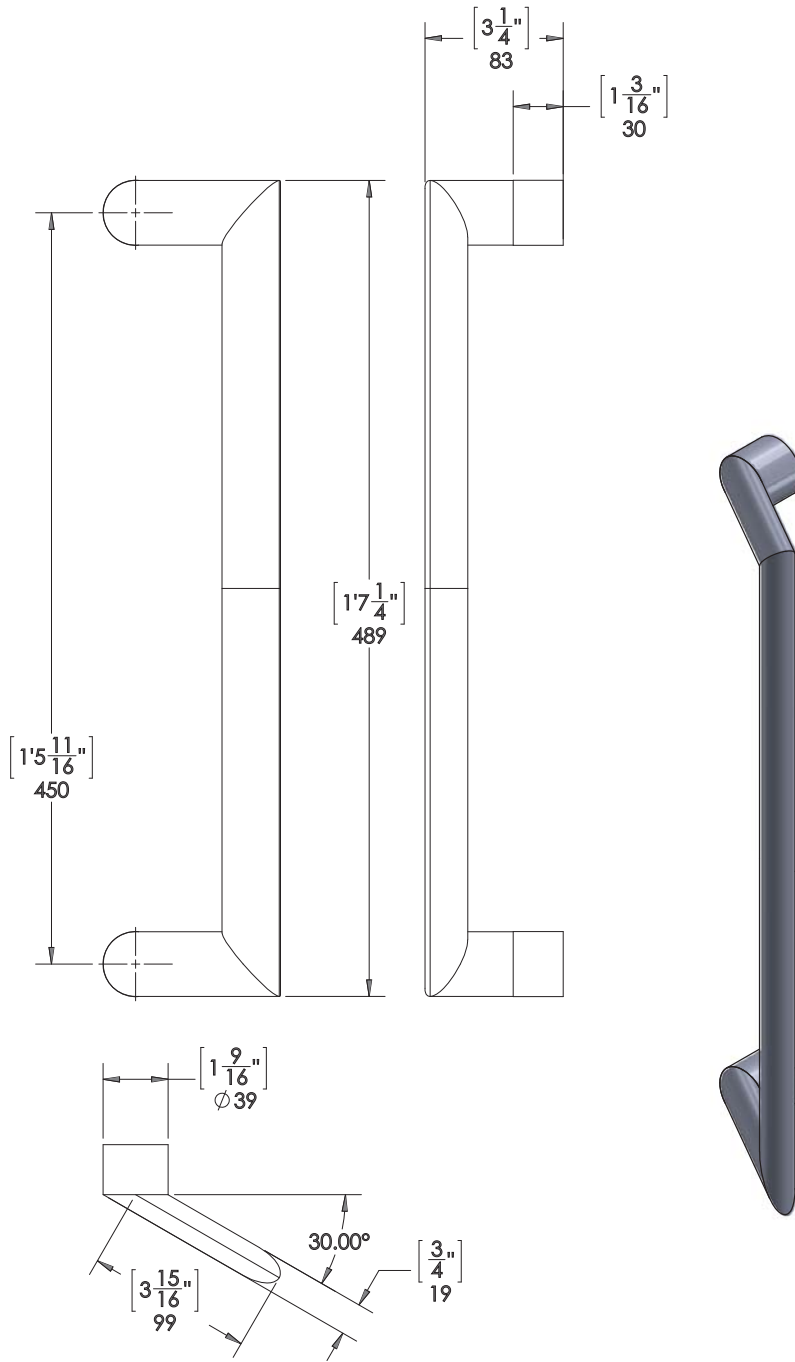


Push Pull Handles

For use with deadbolt locks on a swing panel. To keep the swing panel closed, it is recommended that a door closer be used. Please note that for folding systems, a closer is only practical for a swing panel attached to a side jamb.



Finish:
Brushed Stainless Steel