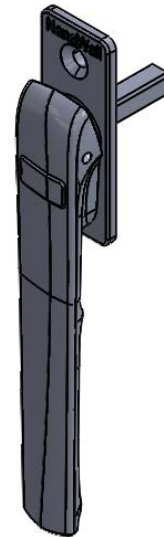
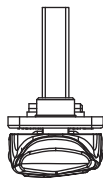
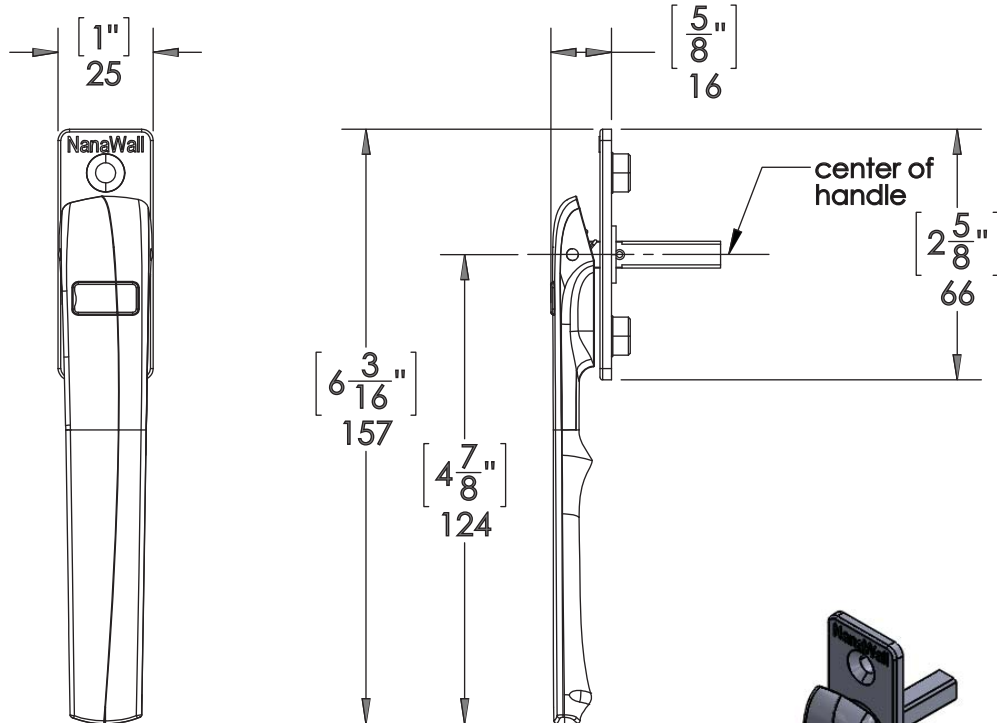


Standard Flat Handle

For use with the standard two point or three point locking of all systems except SL70, SL73 and all glass systems.

Specially designed to stack panels flat against each other in the open position.



Finishes:

Stainless Steel in Brushed Satin
Stainless Steel in Black Titanium

NOTE:

Spindle length
varies with system