

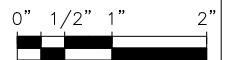
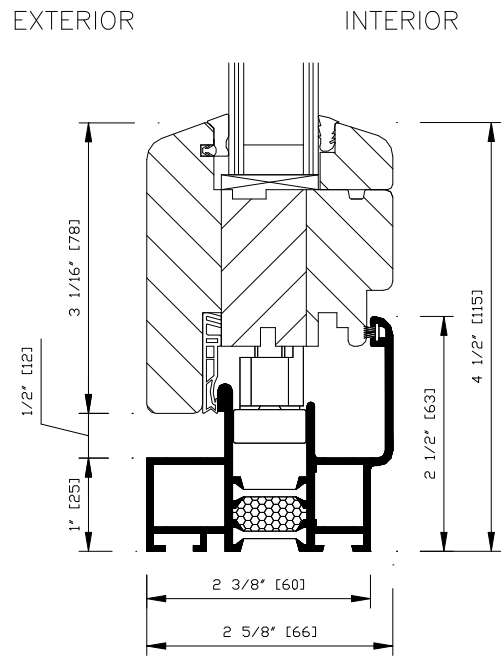
# NanaWall

WD66

OUTWARD OPENING

SECTION DETAIL  
DETAIL 2.1

TOP HUNG RAISED SILL



CAD FILE NAME: WD6621