

# NanaWall

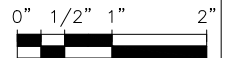
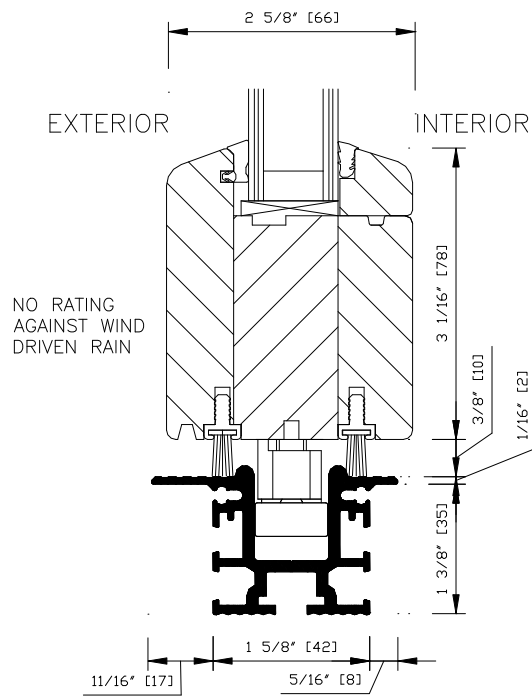
WD66

OUTWARD OPENING

SECTION DETAIL  
DETAIL 26.1

TOP HUNG FLUSH SILL

(For resistance against wind driven rain,  
drain connections by others necessary.)



CAD FILE NAME: WD66261