

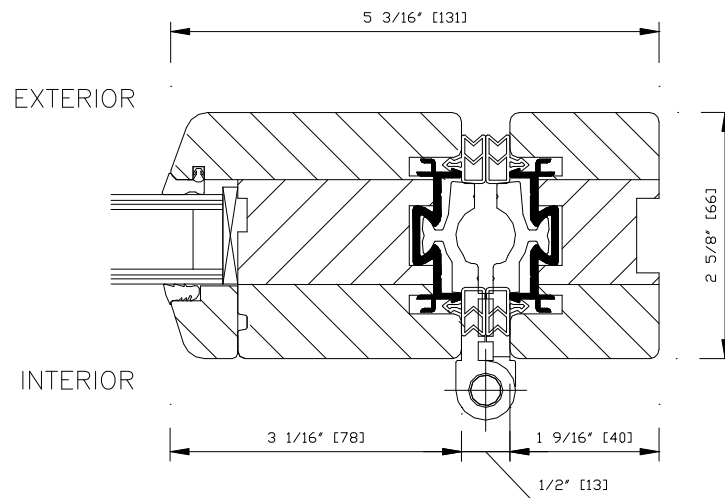
# NanaWall

WD66

INWARD OPENING

SECTION DETAIL  
DETAIL 3.0

PANEL HINGED AT RIGHT SIDE JAMB



CAD FILE NAME: WD6630