

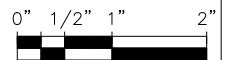
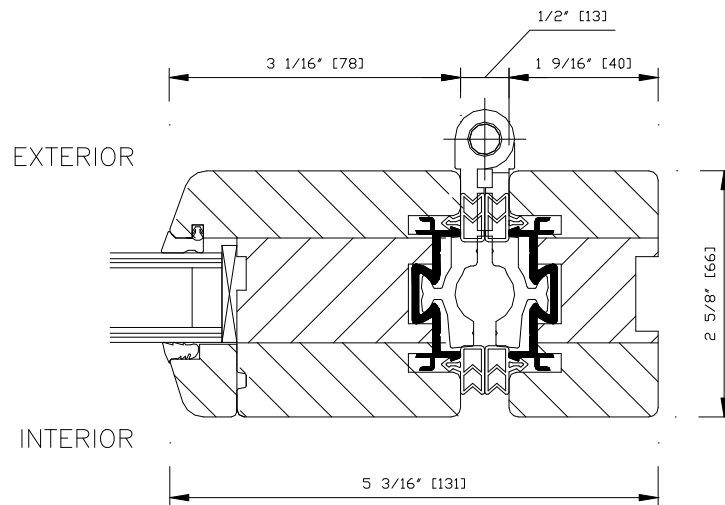
NanaWall

WD66

OUTWARD OPENING

SECTION DETAIL
DETAIL 3.1

PANEL HINGED AT RIGHT SIDE JAMB



CAD FILE NAME: WD6631