

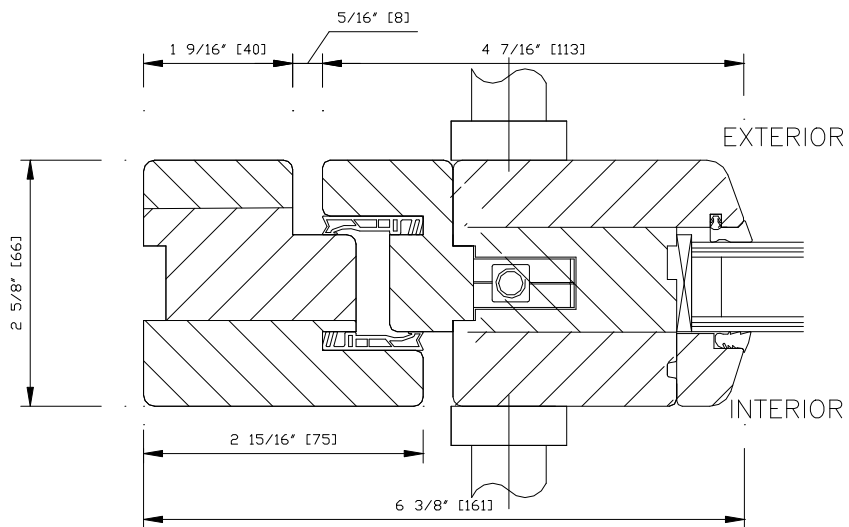
NanaWall

WD66

OUTWARD OPENING

SECTION DETAIL
DETAIL 4.1

SWING PANEL WITH LOCKING AT LEFT SIDE JAMB



CAD FILE NAME: WD6641