

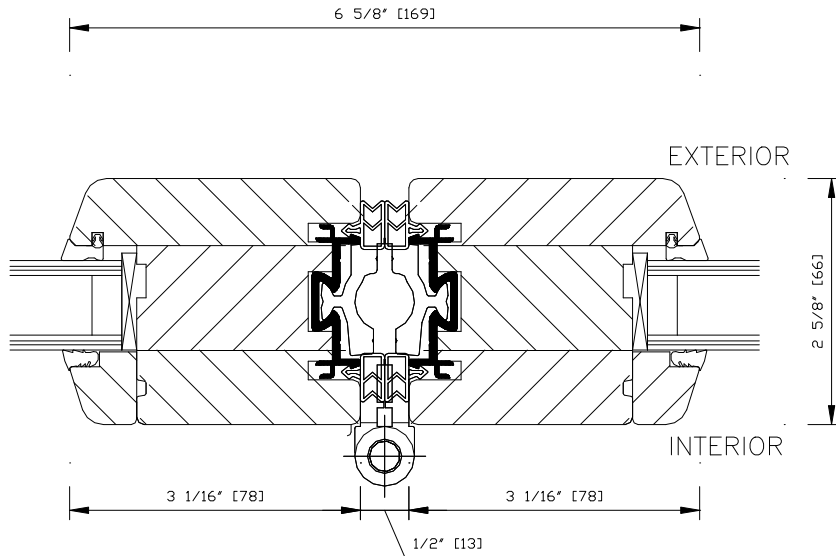
# NanaWall

WD66

INWARD OPENING

SECTION DETAIL  
DETAIL 7C.0

LEFT FOLDING PANEL RUNNING CARRIAGE



CAD FILE NAME: WD667C0