

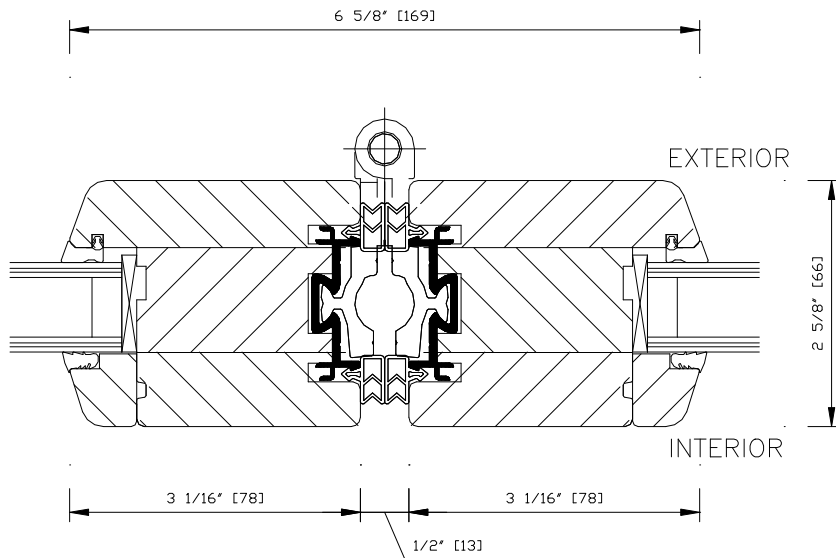
NanaWall

WD66

OUTWARD OPENING

SECTION DETAIL
DETAIL 7C.1

RIGHT FOLDING PANEL WITH RUNNING CARRIAGE SET



CAD FILE NAME: WD667C1